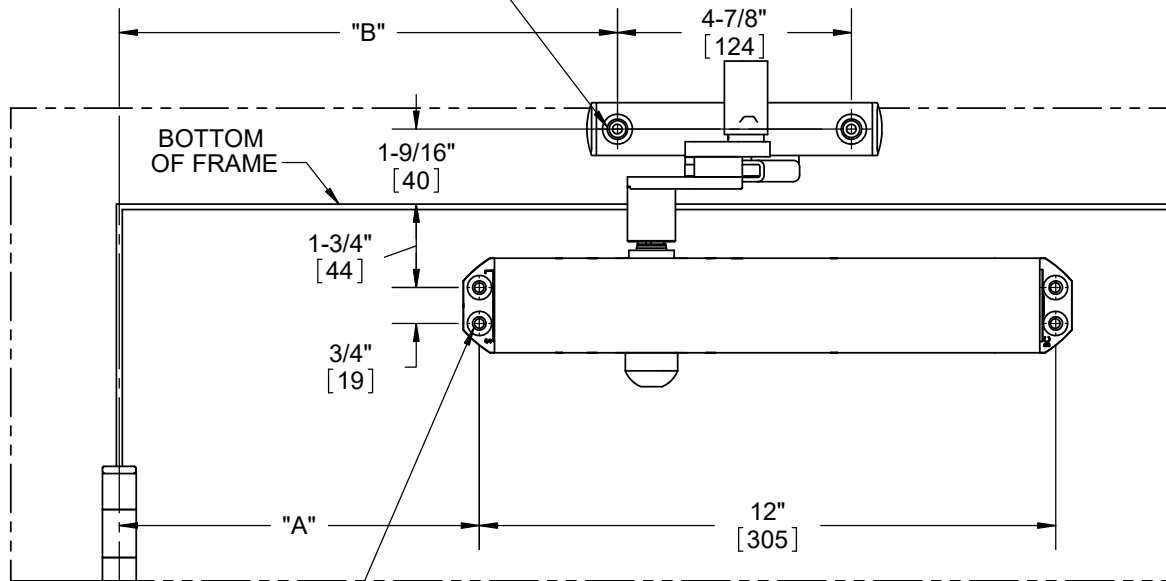


NOTES:

- 1) DO NOT SCALE THIS DRAWING
- 2) DIMENSIONS ARE IN INCHES / [MM]
- 3) RIGHT HAND DOOR IS SHOWN
- 4) CAUTION: SEX NUTS ARE REQUIRED FOR ATTACHMENT OF COMPONENTS TO UNREINFORCED DOORS AND TO WOOD OR PLASTIC FACE COMPOSITE TYPE FIRE DOORS, UNLESS AN ALTERNATIVE METHOD IS IDENTIFIED IN THE INDIVIDUAL DOOR MANUFACTURER'S LISTINGS.
- 5) OPTIONAL DPK FASTENERS (DPK86) FOR STEEL DOOR & FRAME ONLY.

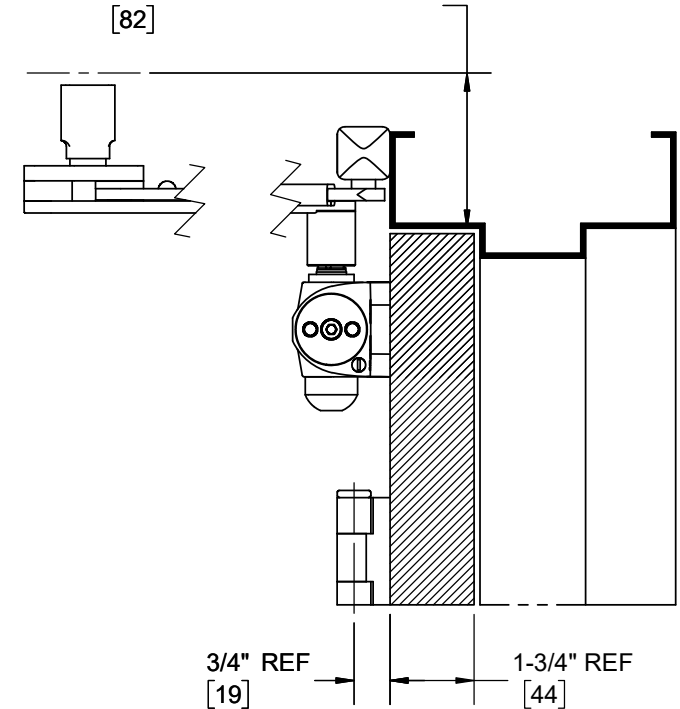
ANGLE OF HOLD OPEN	ANGLE OF CUSHION	DIMENSION "A" (CLOSER)	DIMENSION "B" (ARM SHOE)
85°	86° - 96°	8-1/8" [206]	11" [279]
90°	91° - 101°	7-1/2" [191]	10-3/8" [264]
100°	101° - 111°	6-5/8" [168]	9-1/2" [241]
110°	111° - 121°	5-7/8" [149]	8-3/4" [222]

ARM SHOE - TWO (2) HOLES IN FRAME  
 5/16-18 MACHINE SCREWS - #F (0.257") DRILL & TAP  
 No.20 WOOD SCREWS - 7/32" DRILL  
 DPK FASTENERS - 1/8" DRILL



CLOSER - FOUR (4) HOLES IN DOOR  
 1/4-20 MACHINE SCREWS - 13/64" OR #7 DRILL & TAP  
 No.14 WOOD SCREWS - 5/32" DRILL  
 DPK FASTENERS - 1/8" DRILL  
 SEX NUTS - 3/8" DRILL

3-1/4" MIN. CEILING HEIGHT  
 [82]



DOOR CLOSER MODELS: 8600 SISH  
 SPRING INTEGRA STOP REGULAR INSTALLATION HOLD OPEN  
 PULL SIDE MOUNT



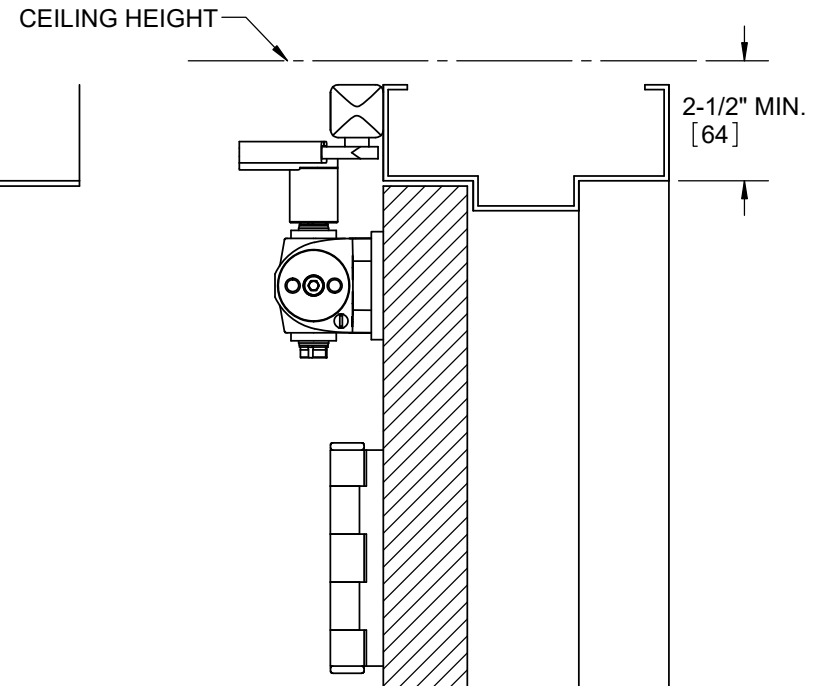
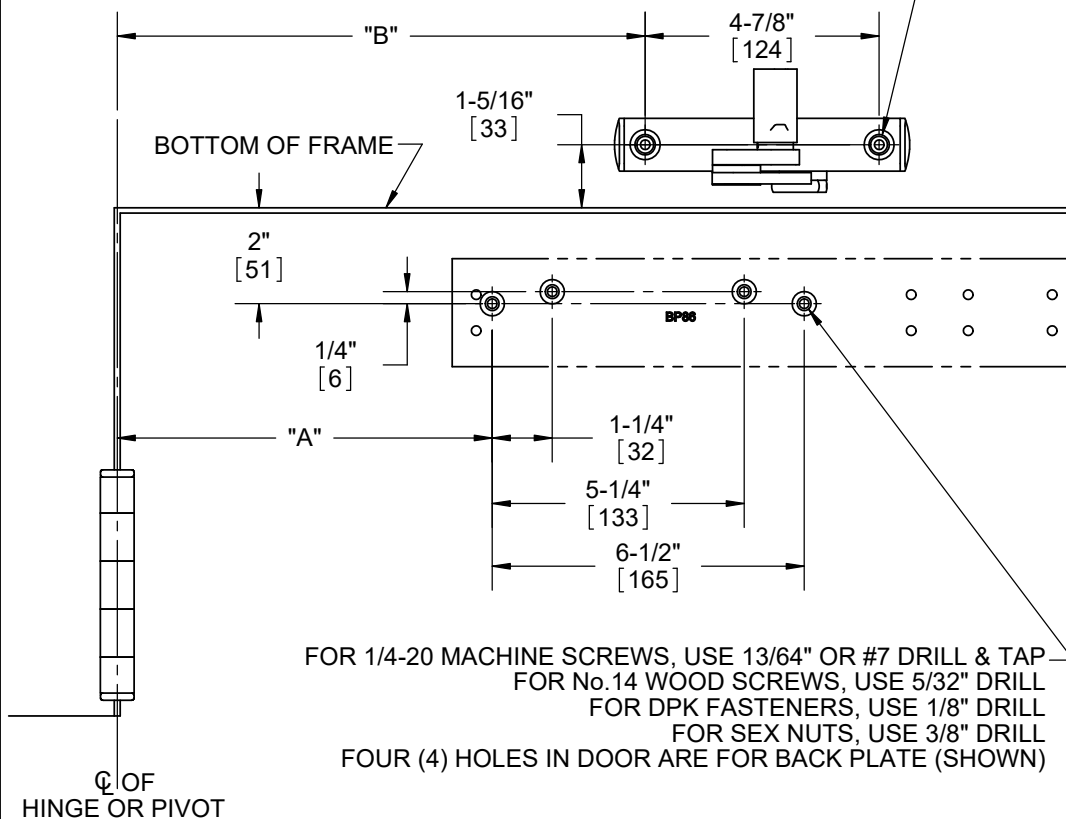
dormakaba USA Inc  
 DORMA DRIVE  
 REAMSTOWN,  
 PA 17567  
 800 523 8483

NOTES:

- 1) DO NOT SCALE THIS DRAWING
- 2) DIMENSIONS ARE IN INCHES / [MM]
- 3) RIGHT HAND DOOR IS SHOWN
- 4) CAUTION: SEX NUTS ARE REQUIRED FOR ATTACHMENT OF COMPONENTS TO UNREINFORCED DOORS AND TO WOOD OR PLASTIC FACE COMPOSITE TYPE FIRE DOORS, UNLESS AN ALTERNATIVE METHOD IS IDENTIFIED IN THE INDIVIDUAL DOOR MANUFACTURER'S LISTINGS.
- 5) OPTIONAL DPK FASTENERS (DPK86) FOR STEEL DOOR & FRAME ONLY.

FOR 5/16-18 MACHINE SCREWS, USE #F (0.257") DRILL & TAP  
 FOR No.20 WOOD SCREWS, USE 7/32" DRILL  
 FOR DPK FASTENERS, USE 1/8" DRILL  
 TWO (2) HOLES IN FRAME ARE FOR ARM SHOE (SHOWN)

ANGLE OF HOLD OPEN	ANGLE OF CUSHION	DIMENSION "A" (BACK PLATE)	DIMENSION "B" (ARM SHOE)
85°	86° - 96°	8-1/2" [216]	11" [279]
90°	91° - 101°	7-7/8" [200]	10-3/8" [264]
100°	101° - 111°	7" [178]	9-1/2" [241]
110°	111° - 121°	6-1/4" [159]	8-3/4" [222]



DOOR CLOSER MODELS: 8616 SISH  
 REGULAR INSTALLATION (PULL SIDE MOUNT)  
 WITH BACK PLATES BP86 & BP86FC  
 SPRING INTEGRA CUSHION ARM



dormakaba USA Inc  
 DORMA DRIVE  
 REAMSTOWN,  
 PA 17567  
 800 523 8483